

Focus on Reliability

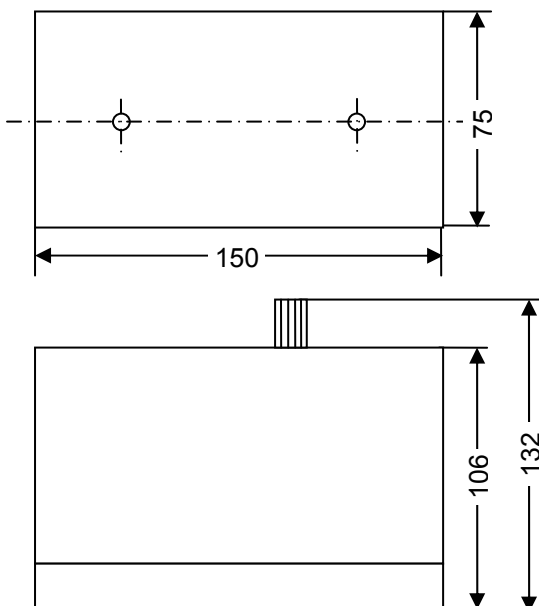
VA43S

VA43S offers a simple and reliable vibration monitoring, including trip or warning signal when the preset vibration level is exceeded.



- Balanced input insensitive to interference
- Two selectable frequency ranges, 1-1 000 Hz or 10-1 000 Hz according to ISO-standard
- Three selectable measurement ranges
- Measures vibration velocity (mm/s) and true RMS
- Alarm function through relay

(mm)



Outputs

- Load independent current output, 0-20 mA or 4-20 mA, possible to switch in the unit, max load 600 Ω
- Linearized AC signal output for analysis instruments
- Relay alarm output and delay time 0-30 s

Technical specification

Input

- Signal source: velocity transducer VT 15.10, VT 16.13, eddy current probe BG1.

Analog outputs

- Signal output for analysis 10 mV RMS per mm/s.
- Accuracy better than 2%.
- Output resistance 200 Ω .
- Current output 0-20 mA or 4-20 mA of chosen measurement range.
- Load up to 600 Ω .
- Accuracy better than 2%
- Voltage output 0-10 Volt DC of chosen measurement range.
- Max load 3 mA.
- Accuracy better than 2%.

Relay output

- Potential free changeover function with 250V, 5 A rating.
- Relay normally on or off, selectable.

Relay function

- 0-100% of chosen measurement range, set by a front mounted potentiometer, lockable.
- Reproducibility better than 0.5%.
- Setability better than 0.5%.
- Hysteresis 3%.
- Selectable alarm delay, 0-30 s.

Other

- Working temperature 0-70 °C
- Influence of temperature, less than 1% per 10 °C
- Power consumption 2W.

Alternative versions

Adjustments in measurement- and frequency ranges, alarm delay time, relay function, measurements with eddy current probes etc.

