

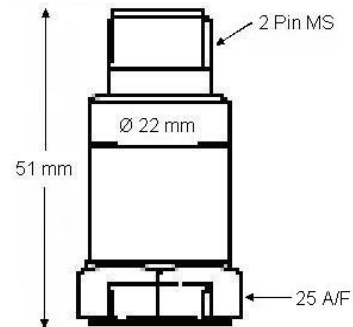
Accelerometer AT514

Temperature Range - 55 to 140 °C

Sensitivity 500 mV/g

Technical Specification

Frequency Response	2-10 000 Hz \pm 5% (-3 dB at 0,8 Hz)
Dynamic Range	\pm 80 g
Current Excitation	0,5-8 mA
Bias Voltage	12 VDC (nom.)
Sealing	IP67
Weight	110 g (nom.)
Material	Stainless Steel
Mounting	M6
Connector	2 Pin MS
Mounted Resonance	18 000 Hz (nom.)
Mounting Torque	8 Nm



Order Code

AT514

Applications

Compressor
Paper & Pulp

Gas Turbines